

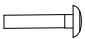
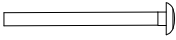
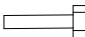
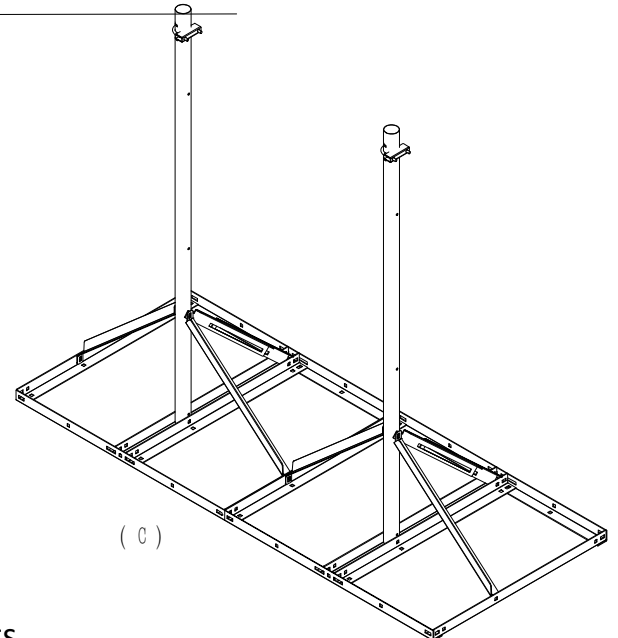
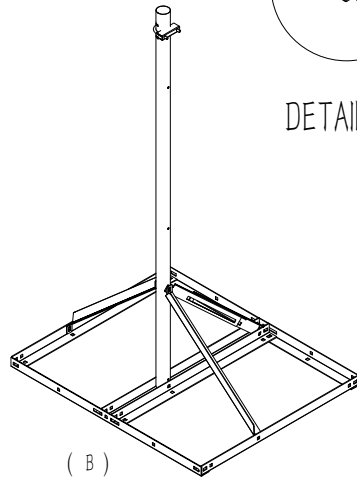
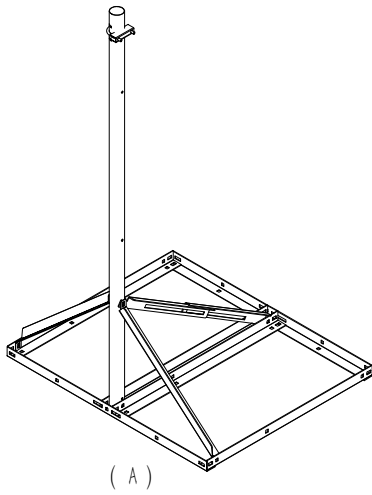
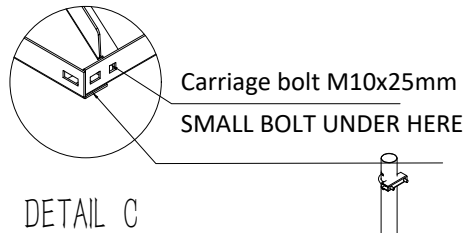
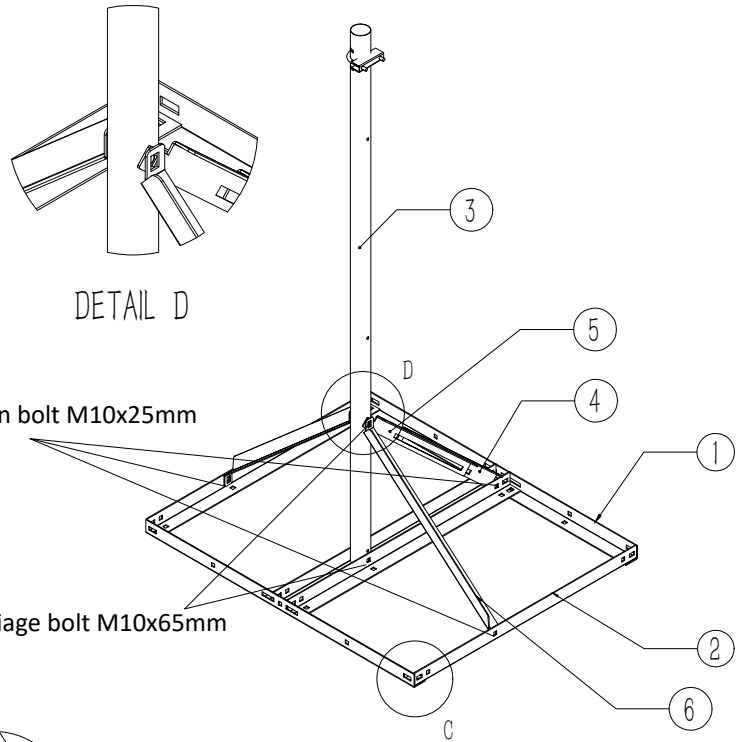


# Adjustable Non-Penetrating Roof Mount ASSEMBLY INSTRUCTION

MODEL: LSO-NPRM-ADJ

Item	Components	Qty/pcs
1	35" angle base	2
2	29" angle base	4
3	56.5" galvanized steel pole	1
4	17" adjustment stru, Parts 1	1
5	17" adjustment stru, Parts 2	1
6	24" angle support	2

-  Hexagon nut, 15 pcs
-  Flat pad, 15 pcs
-  Carriage bolt M10x25mm, 10 pcs
-  Carriage bolt M10x65mm, 2 pcs
-  Outer hexagon bolt M10x25mm, 3 pcs



## Assembly Process:

1. Build base frame with Carriage bolt M10x25mm bolts.
2. Insert bolts, so bolts are on the bottom of the unit and nuts are on top.
3. Assemble strut slider with two small bolts/nuts
4. Insert pipe into base frame with Carriage bolt M10x65mm bolt and connect
5. Attach angle supports to base frame
6. Position pipe angle as needed and tighten all nuts
7. Installation modes A and B can be selected as required
8. Figure C shows the connection of connecting cabinets