

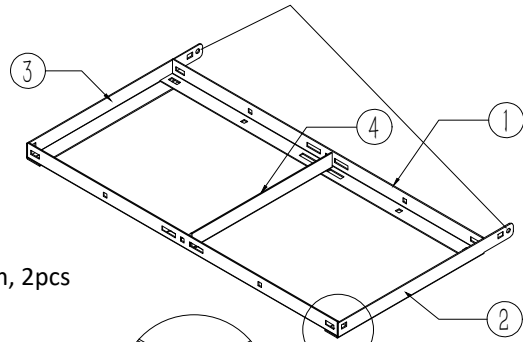
Non-Penetrating Roof Mount Peak Tray


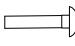

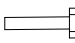
ASSEMBLY INSTRUCTION

Item	Components	Qty/pcs
1	35" angle base	2
2	29"corner base small frame left	1
3	29"corner base small frame right	1
4	16" angle support	1

MODEL: LSO-PTRAY

Outer hexagon bolt M10x25mm



-  Hexagon nut, 8 pcs
-  Carriage bolt M10x25mm, 6 pcs
-  Flat pad, 8 pcs
-  Outer hexagon bolt M10x25mm, 2 pcs

Assembly Process:

1. Build base frame with Carriage bolt M10x25mm bolts.
2. Insert bolts so bolts are on the bottom of the unit and nuts are on top.
3. You can choose variety of Angle installation modes as required, such as A and B
4. Figure C shows the connection of connecting cabinets

